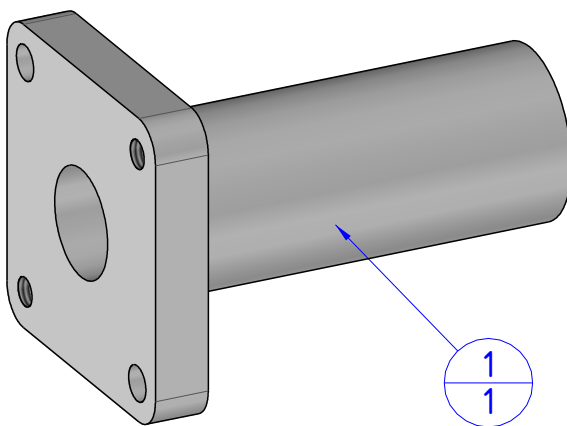
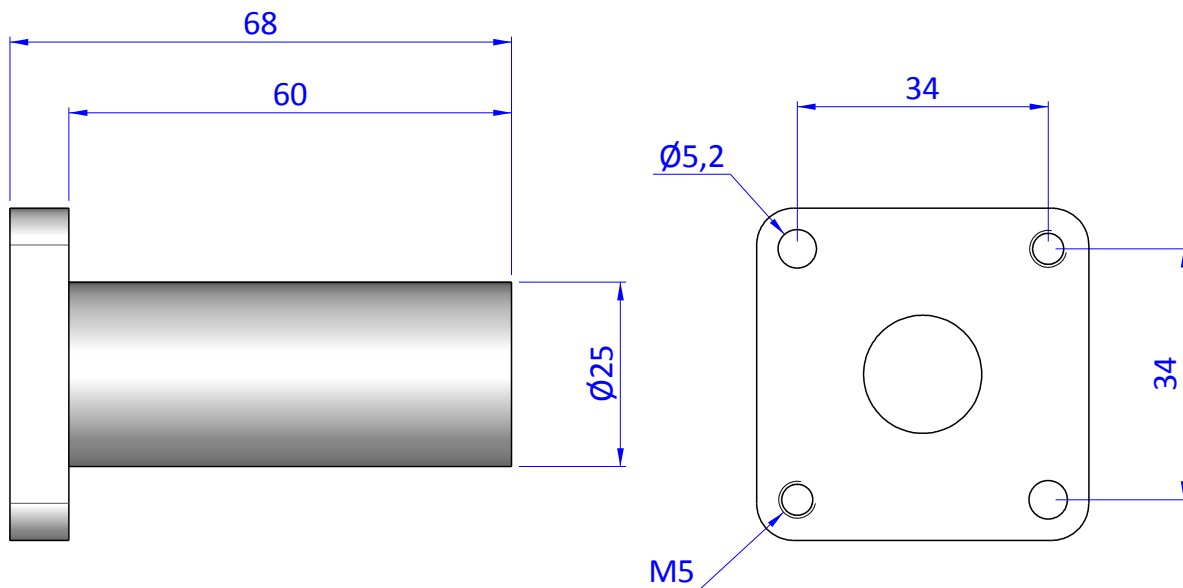

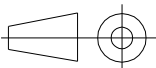


THE PROPERTY OF THE DRAWING IS ESTABLISHED BY LAW. IT IS FORBIDDEN TO PRODUCE OR SHOW IT TO THIRD PART. WITHOUT A WRITTEN AGREEMENT.

Item	Name	Q.ty
1	ADZ.32.25	1



<b>Format</b> A4  UNI 936-76					DESIGNED FROM <b>FPS Automation</b>	REVIEW <b>A</b>
	GENERAL TOLERANCE UNI - ISO 2768 CLASSE f		DESCRIPTION CA.ADZ.32.25		DATE 16/05/2019	WEIGHT 0,085kg
					CODE <b>CA.ADZ.32.25</b>	